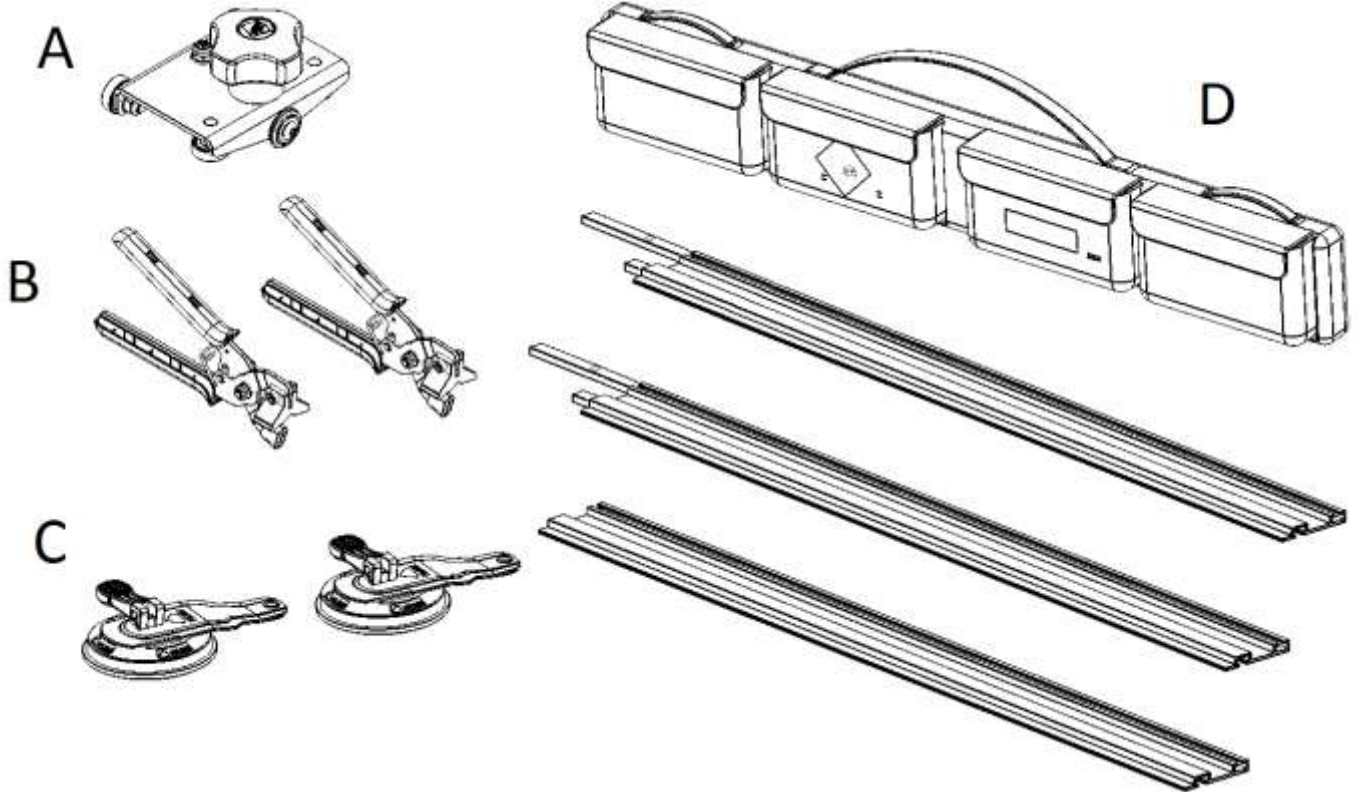


# SLIM CUTTER

100000720 08 28/02/2020

Página 1 de 5



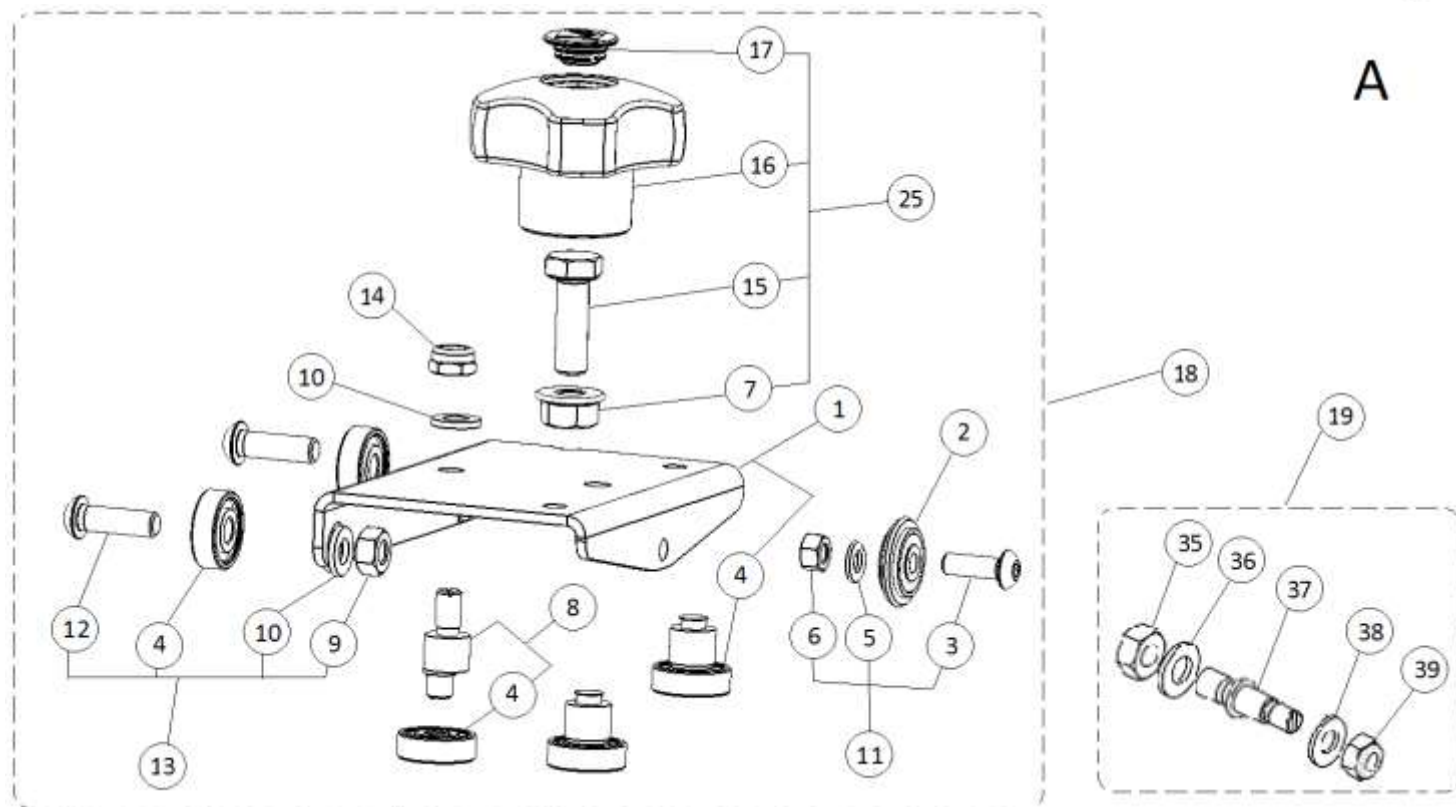
Part-list	ES	EN	Prod.
1	GRUPO CARRO SLIM CUTTER	SLIM CUTTER HEAD SET GROUP	
2	GRUPO TENAZA SLIM CUTTER	SLIM CUTTER PLIERS GROUP	
3	GRUPO VENTOSA SLIM CUTTER	SLIM CUTTER SUCTION PAD GROUP	
4	GRUPO PERFILES Y MALETA SLIM CUTTER	SLIM CUTTER PROFILES & CASE GROUP	

Prod.	ES	EN	From serial num.
18911	SLIM CUTTER	SLIM CUTTER	-

Queda reservado el derecho de introducir cualquier modificacion técnica sin previo aviso

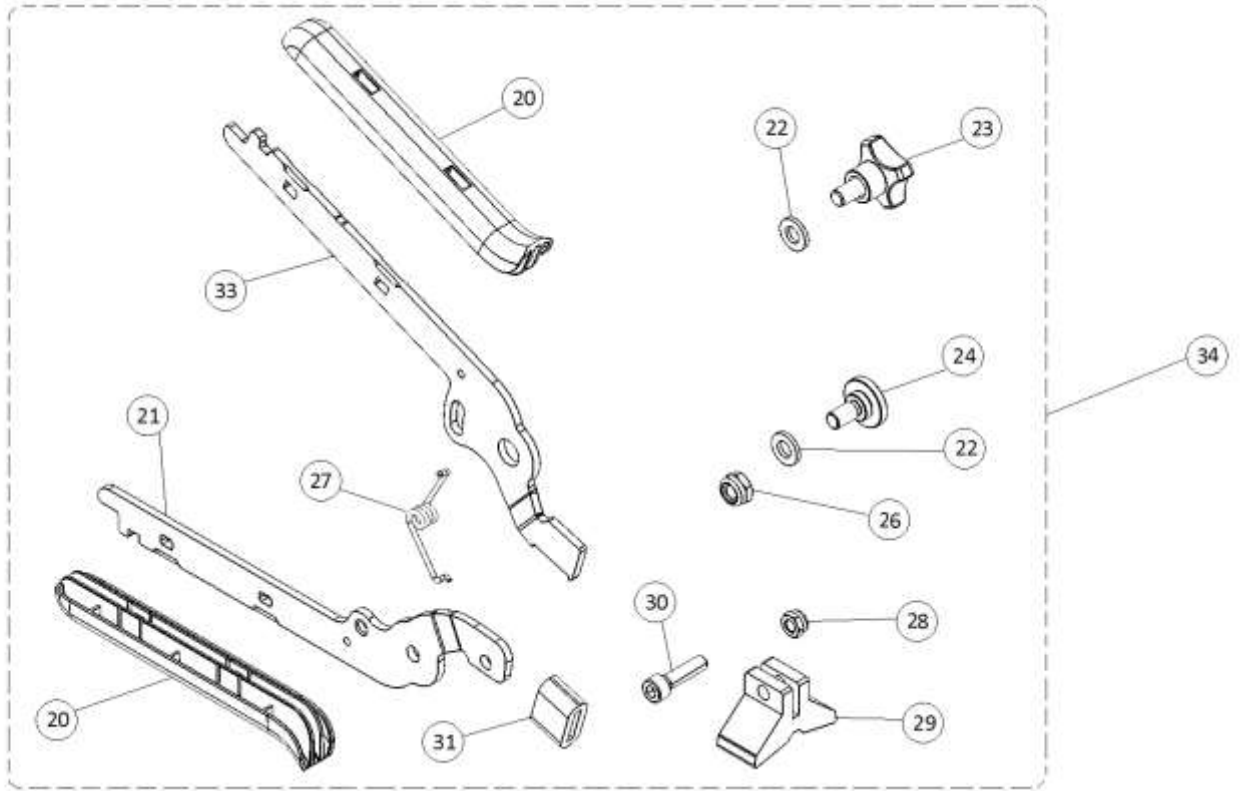
We reserve the right to introduce any technical modification without previous notice

A



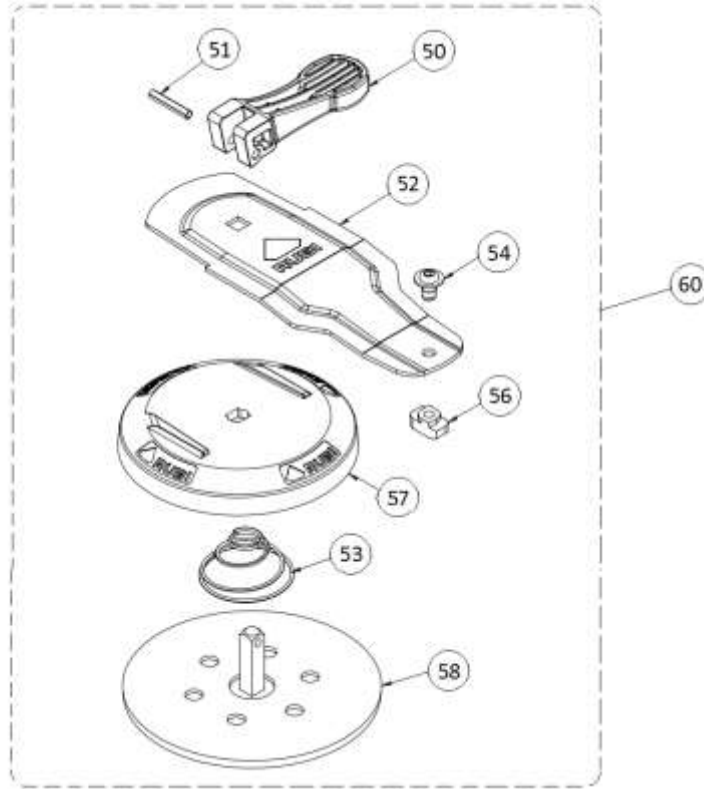
Part-list	ES	EN	Prod.
1	18706 1	CJ.CHASIS CARRO SLIM CUTTER	CHASSIS HOLDER SET SLIM CUTTER
2	1901 1	RULINA Ø 22 MM EXTREME PARA SLIM, TP/TQ	SCORING WHEEL Ø 22 MM EXTREME
3	24232 1	TORN ISO 7380 M5X16 10.9 ZN	SCREW ISO 7380 M5X16 10.9 ZP
4	55089 5	RODAMIENTO 626 6X19X6	BEARING 626 6-19-6
5	56035 1	ARAND DIN 125 A5,3 ZN	WASHER DIN125 A5,3 ZP
6	45049 1	TUERCA DIN 934 M5 CL8 ZN	HEX NUT DIN 934 M5 CL8 ZP
7	57335 1	TUERCA DIN 6923 M8 CL8 ZN	NUT DIN 6923 M8 CL8 ZP
8	18708 1	CJ.RODAMIENTO EXCENTRICO SLIM CUTTER	ECCENTRIC BEARING SLIM CUTTER
9	15132 2	TUERCA DIN 934 M6 CL8 ZN	HEX NUT DIN 934 M6 CL8 ZP
10	25177 3	ARAND DIN 125 A6,4 ZN	WASHER DIN 125 A6,4 ZP
11	18714 1	CJ.TORNILLO RULINA SLIM CUTTER	SCORING WHEEL SCREW SET SLIM CUTTER
12	18300 2	TORN ISO 7380 M6X20 10.9 ZN	SCREW ISO 7380 M6X20 10.9 ZP
13	18709 2	CJ.RODAMIENTO LATERAL SLIM CUTTER	LATERAL BEARING SLIM CUTTER
14	40020 1	TUERCA DIN 985 M6 CL8 ZN AUTOBLOC	HEX LOCK NUT DIN 985 M6 CL8 ZP
15	15682 1	TORN DIN 933 M8X25 6.8 ZN	SCREW DIN 933 M8X25 6.8 ZP
16	45427 1	POMO M8 ROJO V2	RED KNOB M8 V2 FOR LEG
17	17332 1	TAPON POMO M8 ROJO	RED KNOB CAP M8
18	18713 1	CJ.CABEZAL SLIM CUTTER	HEAD SET SLIM CUTTER
19	18717 1	RECAMBIO EJE RODEL Ø 22 MM SLIM CUTTER	SHAFT SET FOR SCORING WHEEL Ø 22 MM
25	18707 1	CJ.POMO SLIM CUTTER	KNOB SLIM CUTTER
35	45049 1	TUERCA DIN 934 M5 CL8 ZN	HEX NUT DIN 934 M5 CL8 ZP
36	56035 1	ARAND DIN 125 A5,3 ZN	WASHER DIN125 A5,3 ZP
37	18395 1	EJE RULINA Ø 22 MM SLIM CUTTER	SCORING WHEEL Ø 22 MM AXLE SLIM CUTTER
38	15404 1	ARAND DIN 125 A4,3 ZN	WASHER DIN 125 A4,3 ZP
39	65257 1	TUERCA DIN 985 M4 CL8 ZN AUTOBLOC	HEX LOCK NUT DIN 985 M4 CL8 ZP

B



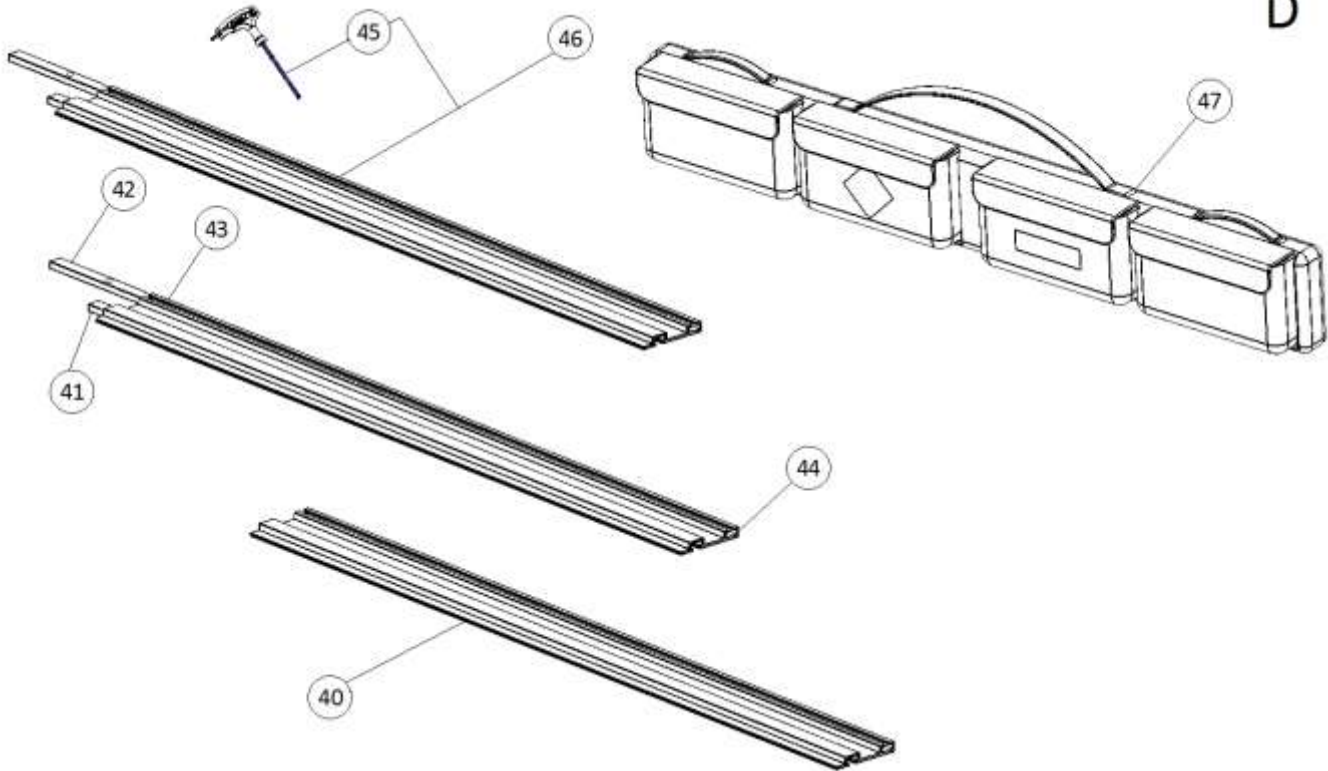
Part-list	ES	EN	Prod.
20	2299 4	FUNDA ERGONOMICA TENAZA TL V2	TILE LEVEL PLIERS HANDLE CASE V2
21	18244 2	PALANCA SUPERIOR TENAZAS SLIM SYSTEM	UPPER LEVER SLIM SYSTEM PLIERS
22	25177 4	ARAND DIN 125 A6,4 ZN	WASHER DIN 125 A6,4 ZP
23	17021 2	COM.POMO M6X10 ROJO	RED KNOB SET M6X10
24	2238 2	EJE TENAZA TILE LEVEL V2	TILE LEVEL PLIERS AXLE V2
26	40020 2	TUERCA DIN 985 M6 CL8 ZN AUTOBLOC	HEX LOCK NUT DIN 985 M6 CL8 ZP
27	18241 2	MUELLE TENAZAS SLIM SYSTEM	PLIERS SPRING SLIM SYSTEM
28	40045 2	TUERCA DIN 985 M5 CL8 ZN AUTOBLOC	HEX LOCK NUT DIN 985 M5 CL8 ZP
29	18240 2	MORDAZA TENAZAS SLIM SYSTEM	PLIER CLAMP SLIM SYSTEM
30	17005 2	TORN DIN 912 M5X20 6.8 ZN BLANCO	SCREW DIN 912 M5X20 6.8 ZP WHITE
31	18232 2	GOMA AMORTIGUADORA SLIM SYSTEM	SHOCK ABSORVER RUBBER SLIM SYSTEM
33	18243 2	PALANCA INFERIOR TENAZAS SLIM SYSTEM	LOWER LEVER SLIM SYSTEM PLIERS
34	18812 2	TENAZA SLIM SYSTEM	SLIM SYSTEM PLIERS (1 PC)

C



Part-list	ES	EN	Prod.
50	65337 2	MANGO VENTOSA V3 GRIS	SUCTION PUMP HANDLE V3 GREY
51	65318 2	PASADOR DIN 7343 Ø 4X24	PIN DIN 7343 Ø 4X24
52	51698 2	PLACA FIJACION VENTOSA SLIM CUTTER V2	SUCTION CUP ASSEMBLY SLIM CUTTER V2
53	65254 2	MUELLE VENTOSA	SUCTION PAD SPRING
54	54053 2	TORN ISO 7380 M6X10 ULS 6.8	SCREW ISO 7380 M6X10 (ULS) 6.8
56	18215 2	TUERCA CARRIL T-M6 SLIM CUTTER	NUT RAIL T-M6 SLIM CUTTER
57	65339 2	CUERPO VENTOSA V5	SUCTION PAD BODY V5
58	65837 2	CJ.GOMA VENTOSA RM	RUBBER SUCTION PUMP RM SET
60	18834 2	ACCESORIO VENTOSA SLIM CUTTER	SUCTION PAD ACCESORY SLIM CUTTER

D



Part-list	ES	EN	Prod.
40	18848 3	GUIA SLIM CUTTER V2	GUIDE SLIM CUTTER V2
41	18729 2	GUIA DE UNION 20X5X75 V2	UNION GUIDE 20X5X75 V2
42	18728 2	GUIA DE UNION 20X5X450 V2	UNION GUIDE 20X5X450 V2
43	18732 1	PRISIONERO DIN 913 M8X8 8.8 ZN	PIN DIN 913 M8X8 8.8 ZP
44	18219 6,6	JUNTA TORICA Ø 2,5 BLANCA	O-RING Ø 2,5 WHITE
45	18654 1	LLAVE ALLEN BOLA 4 MM MANGO T	T HANDLE END BALL HEX KEY 4 MM
46	18913 1	SUPLEMENTO GUIA SLIM CUTTER 1100MM	SUPLEMENTO GUIDE SLIM CUTTER 1100MM
47	18230 1	BOLSA DE TRANSPORTE SLIM CUTTER	CARRY BAG SLIM CUTTER